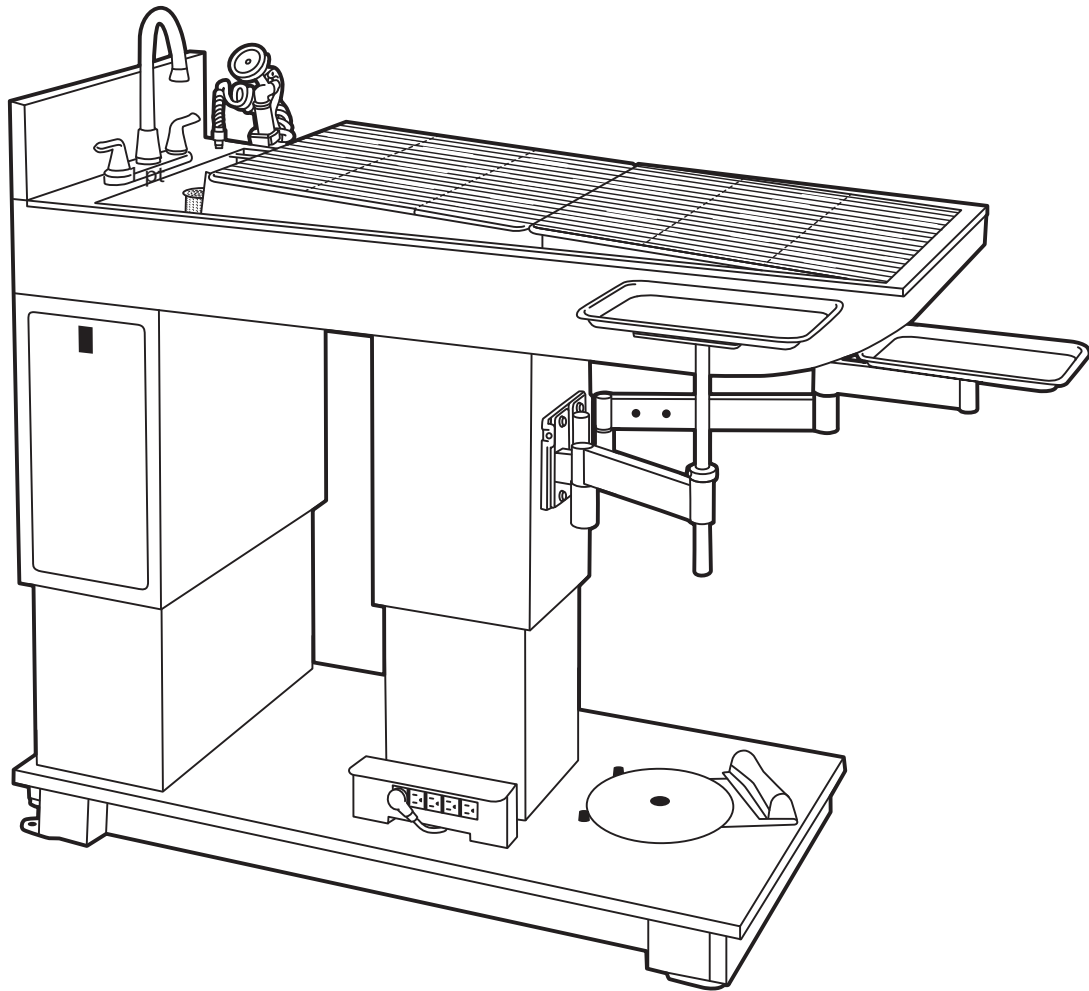


Owner's Manual

Olympic Hi-Lo Wet Table™

Model 51001, 51002, 51003

Serial # _____



9311 SE 36th Street, Unit 220
Mercer Island, WA 98040

Phone: 800-789-6867 • Fax 206-905-0839

Web: www.OlympicVeterinary.com

Email: Info@OlyVet.com

About this Manual

This manual contains information on the setup, use and upkeep of the Olympic Hi-Lo Wet Table and should be read in its entirety before first use to assure safe operation and optimal performance.

This Wet Table has a serial number you will need to reference when seeking technical support. This is stamped on the bottom right corner of the Product Safety Label which is located adjacent to the plumbing access panel. For future reference, it is recommended you record this serial number on the front of this manual.

Table of Contents

Component Identification.....	3
Introduction	4
Safety	4
Safety Symbols.....	4
Unpacking Instructions	4
Installation	5
General Description.....	5
Installation Procedure.....	5
Creating the Dental Cockpit	6
Operation	6
Height Adjustment	6
Hand Spray.....	6
Tub and Drainage	6
Stainless Steel Top	6
Dimensioned Drawings	7
Cleaning and Maintenance	9
Specifications.....	9
Ordering Information.....	9
Optional Accessories.....	9
Warranty.....	10
Contact Us	10

List of Figures

Figures 1 and 2 – Component Identification	3
Figure 3 – Dimensioned side view of Hi-Lo Wet Table when fully raised	7
Figure 4 – Dimensioned view of Wet Table when fully lowered	7
Figure 5 – Dimensioned top view of Wet Table.....	8
Figure 6 – Rear view of plumbing connections.....	8
Figure 7 – Side view of plumbing cabinet.....	8

Component Identification

The following illustration demonstrates the key components of the Hi-Lo Wet Table.

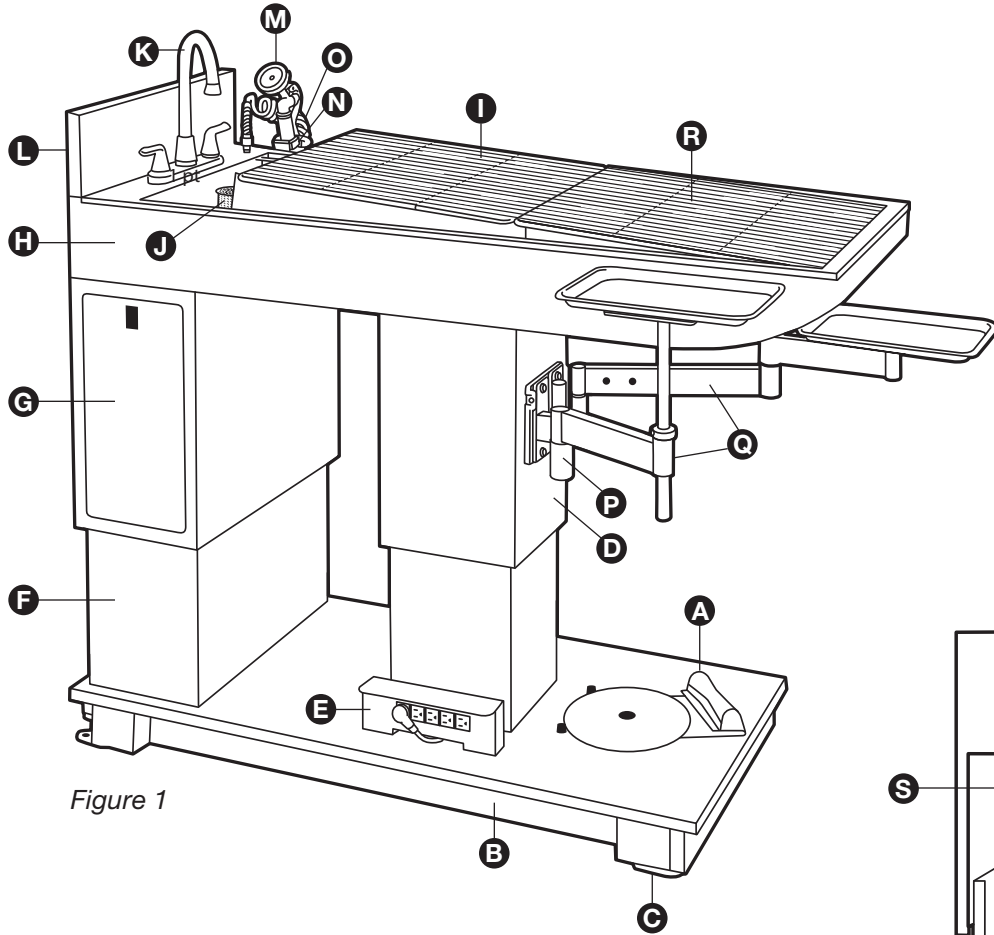


Figure 1

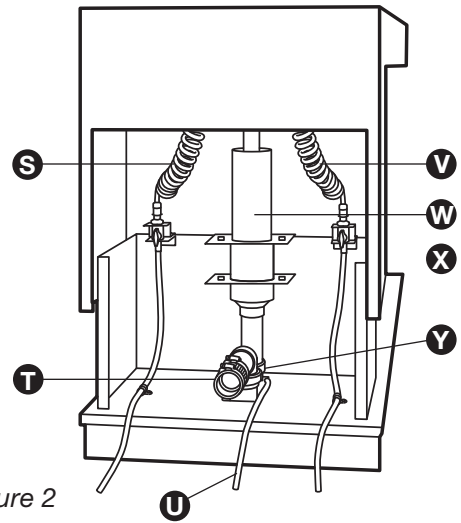


Figure 2

Item	Description	Item	Description	Item	Description
A	Swivelling Foot switch	J	Hair Trap	R	Grate Tilt Insert
B	Baseboards	K	Faucet	S	Cold Water Line
C	Leveling Feet	L	Backsplash	T	Vent Arm
D	Lift Column	M	Spray Nozzle	U	Power Cord
E	Power Strip	N	Nozzle Retention Clip	V	Hot Water Line
F	Plumbing Cabinet	O	8' Coiled Extension Hose	W	Telescoping Drain
G	Plumbing Access Panel	P	Mounting Sockets	X	Rear Enclosure Panel (optional, not showing)
H	Tub	Q	Double-Socket Swing Arm (optional)	Y	P-Trap

Introduction

The Olympic Hi-Lo Wet Table is a height adjustable wet table used for examining and treating animals.

The Wet Table is adjustable from 31" to 43" for seated or standing positions and is designed to fit either against a wall, perpendicular to an existing cabinet or free-standing in the center of a room. It comes completely plumbed, with all the hardware required for installation.

Safety

Please read and follow the instructions in this manual before first use, including all safety instructions and precautions.

The user should be aware that the Hi-Lo Wet Table is a powerful machine with moving parts capable of causing injury if proper precautions are not taken. The lift is raised and lowered by means of an electrical actuator, and care must routinely be taken to assure that hands, feet and other body parts are not in the path of the moving components.

Caution: Do not use the Hi-Lo Wet Table for patients weighing more than 250 pounds.

Safety Symbols

Warning – Indicates a hazardous condition which could result in serious injury if not avoided.

Caution – Indicates a potentially hazardous situation which could result in minor or moderate injury if not avoided.

Equipment Alert – Indicates a potentially hazardous situation which could result in equipment damage if not avoided.

WARNING: When using high frequency surgical devices or catheters, use nonconductive material to insulate patient from metal surfaces of table.

WARNING: Take care to assure that operator's hands and feet are clear of the area where the lift column and plumbing cabinet come to rest when fully lowered and of the area between the back of the table and adjacent cabinet or wall surfaces.

WARNING: The Hi-Lo Wet Table is a heavy piece of equipment that should only be moved by a freight professional with the assist of a dolly or other wheeled device.

WARNING: To prevent electrical shock or short circuit, be sure to plug the power strip into the provided Ground Fault Circuit Interrupt (GFCI).

CAUTION: Do not use the Hi-Lo Wet Table for lifting patients weighing more than 250 pounds.

EQUIPMENT ALERT: Back panel of table should be offset ¼" from adjacent surface to assure sufficient clearance when table is raised or lowered.

EQUIPMENT ALERT: Plumbing must be disconnected before attempting to move wet table.

Unpacking Instructions:

WARNING: The Hi-Lo Wet Table is a heavy piece of equipment that should only be moved by a freight professional with the assist of a dolly or other wheeled device.

Note: If you suspect concealed shipping damage, please save all packaging and immediately contact Olympic Veterinary at 800-789-6867. Please report any claims regarding initial manufacturing quality within 10 days of receiving product.

1. Move the pallet to a level location as close as possible to the intended installation site.
2. Remove the cardboard enclosure and any supporting structure.

3. Cut the tie-down straps securing the inner cardboard carton to the top of the table and set this carton aside until the table has been rolled to its final destination.
4. Remove the two tie-down straps holding the table to the floor of the pallet. Table is now resting on two 2'x4' supports. Remove the 2 retaining screws from each support.
5. Tip the front of unit up, sliding out the front 2'x4' support and inserting a dolly beneath the table. Tip the back of unit up and repeat, inserting a second dolly beneath the back of the table.
6. Position the two included wood ramps in front of the table so that the protruding pin at the end of each ramp drops into the matching hole in the floor of the pallet. Test ramp to assure it is securely attached.
7. Slowly and carefully lower the table down the ramp until it is on level ground. This requires a minimum of 2 movers.
8. The table can now be rolled to its final destination.

Installation

General Description

The Hi-Lo Wet Table's unique system of flexible water supply hoses and telescoping drain pipe allow for unrestricted height adjustment through a 12" range. See dimensional drawings (figures 3, 4, 5, 6 and 7) on pages 7 and 8 for reference.

Installation Procedure

1. Identify an installation location with easy access to hot and cold water lines and to a drain vent arm (the horizontal stub of PVC pipe that connects to a vertical drain pipe). Alternatively, the table can be plumbed directly into a floor drain.
2. Temporarily place the table into position, assuring that there is at least a ¼" gap between the back of the table top and the wall. This allows for unimpeded up and down movement. Assure that there are no countertop ledges or projections from the wall above the table that would interfere with the table as it is moved through the full range of vertical height adjustment. Plug table in to an electrical outlet and raise to full height to assure adequate clearance.
3. Level the table using the provided levelling feet. Mark the position of feet on the floor. If unit is to be bolted to floor (e.g., due to local seismic codes), mark bolt locations on the floor.
4. Remove the two plumbing access doors **G** for better visualization of the plumbing connections.
5. Note that the Drain Vent Arm **T** coming off of the P-Trap **S** can be adjusted to a height, as measured from the floor to the center of the pipe, of 8.2" to 12.4". Select any desired height in this range and precisely mark the corresponding point on the wall where the table's vent arm will exit. Note the required length of the two stainless steel braided hoses that will run from the stop valves in the wall to the stop valves mounted to the vertical wall of the base plumbing cabinet.
6. Temporarily remove the wet table. Modify the height and location of the vent arm exiting the wall to match the location of the vent arm exiting the table so that the two will mate, then attach the required length of stainless steel braided hose to the stop valves inside the unit.
7. Drill the 4 bolt installation points previously marked (optional) and thoroughly clean the surface where the table will be located.
8. Locate the short baseboard panel **B** that includes a square notch in the bottom corner. Insert the power cord through this notch and attach the baseboard to the unit using the provided fasteners.
9. Move the unit back to the previously identified location, assuring there is a ¼" gap between the back of the table and the wall. Re-check the level of the unit and install floor bolts (optional).
10. Complete plumbing drain and supply connections. Stainless steel braided hot and cold water supply lines and a no-hub coupling for connecting to 1.5" PVC drain pipe are included.
11. Assure that the coiled sections of the hot and cold water lines, running from the stop valves on the base to the faucet fixture have free travel.

12. Connect the power cord and provided GFCI plug to a 110-120 VAC receptacle and test the up/down function of the unit using the foot switch. Observe the motion of the table through the full range of travel assuring that the hot and cold water supply coil hoses do not contact other plumbing components when raised or lowered.
13. **WARNING:** To prevent electrical shock or short circuit, be sure to plug the power strip into the provided Ground Fault Circuit Interrupt (GFCI).
14. Install the remaining 3 baseboard sections **B** to close off the underside of the table. The short element at the front of the table is pushed into position first, followed by the two longer elements. The baseboards are secured into place using the provided fasteners.
15. Test the function of the faucet, sprayer hose and drain and make any necessary adjustments to assure leak free connections.
16. Replace plumbing cabinet access doors and latch in place.

Creating the Dental Cockpit

The Olympic Hi-Lo Wet Table includes 2 mounting sockets **W** on the central lift column, each designed to accept an Olympic Double-Socket Swing Arm (optional). The four $\frac{3}{4}$ " sockets on these arms will accommodate a wide range of anesthesia equipment, dental units and accessories. Setup is quick and requires no tools, and the drop-in accessories can be reconfigured throughout the day to best meet procedural needs.

The Olympic Hi-Lo Wet Table can presently accommodate some equipment from the following manufacturers: Supera, Vetland, Versa II, iM3, Kruuse and Dentalaire. Some installations require a special adapter available from Olympic. Please call 1-800-789-6867 for details.

Olympic also offers a wide range of accessories that plug into the Swing Arm Sockets to create the ultimate Dental Cockpit, where all equipment and supplies are at the user's fingertips. These include:

- Heavy Duty IV Pole
- LED Exam Light with Flexible Arm
- Laptop Computer Support Arm

Ordering information can be found on page 7.

Operation

Height Adjustment

The height of the Olympic Hi-Lo Wet Table is infinitely adjustable from 31" to 43" and may be adjusted at any time to provide maximum comfort to the operator or to provide better visualization or access.

The Foot switch **A** is mounted on a swivel for easy access from either side or from the front of the table. Simply move the swivel with your foot until the switch is directly in front of you, then step on the control to raise or lower the table.

Hand Spray

A spray nozzle attached to an 8' coiled hose provides easy access to any point on the table and stores on a retention clip when not in use.

Tub and Drainage

The Hi-Lo Wet Table includes an extra-large hair trap which should remain in place during use and be removed for cleaning between procedures. The tub is sloped to encourage drainage.

Stainless Steel Top

The optional stainless steel top (included with Model 51002) is designed to slide over the removable grates for use in procedures where a solid surface is desired. It does not block access to the sink.

Dimensioned Drawings

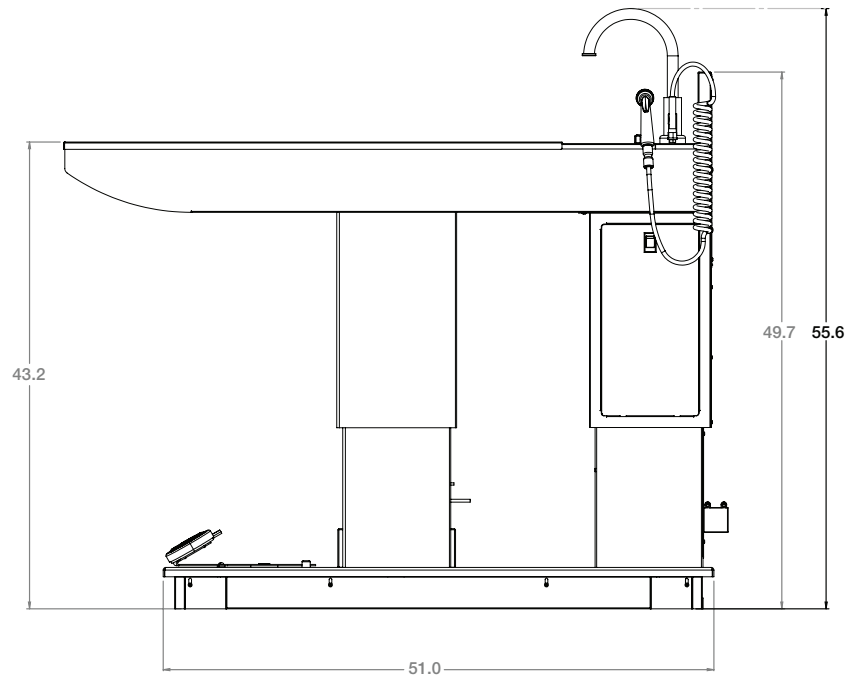


Figure 3 – Dimensioned side view of Hi-Lo Wet Table when fully raised.

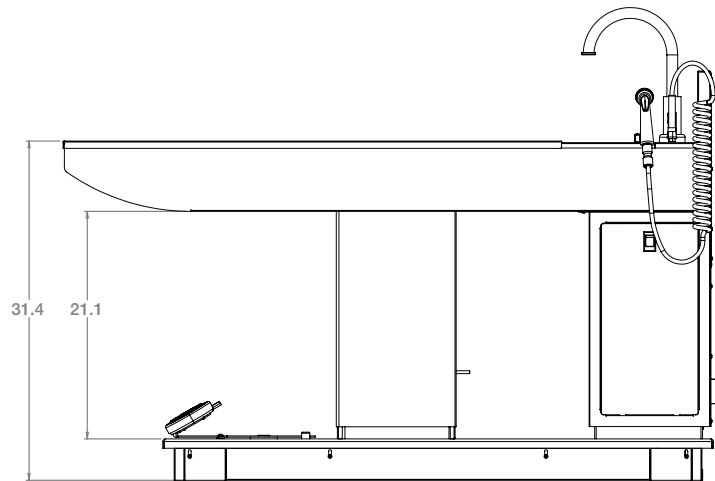


Figure 4 – Dimensioned view of Hi-Lo Wet Table when fully lowered.

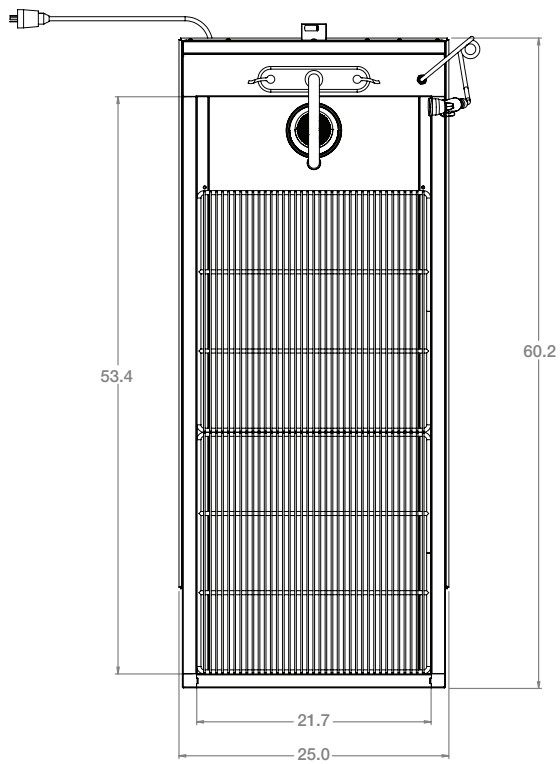


Figure 5 – Dimensioned top view of Hi-Lo Wet Table.

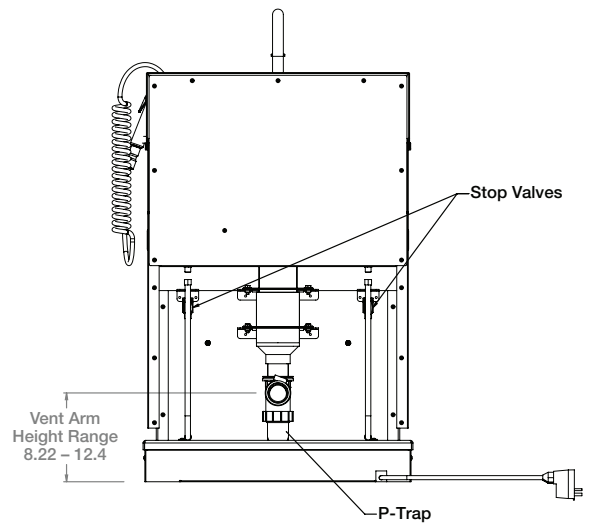


Figure 6 – Rear view of plumbing connections.

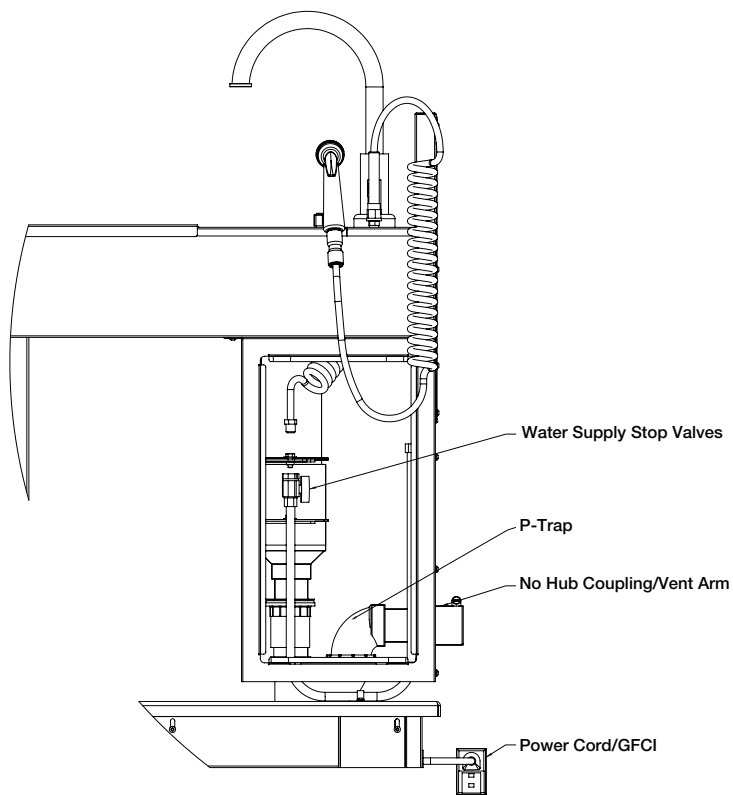


Figure 7 – Side view of plumbing cabinet.

Cleaning and Maintenance

Stainless Steel Surfaces – Clean with soap and water and ordinary disinfectants and dry between use to prevent iron deposit build up.

Powder Coated Surfaces – Clean weekly using soft, clean cloth and mild cleaners. Occasional application of furniture wax will help maintain finished luster.

Plumbing connections – Inspect regularly to assure all connections are tight and that there are no leaks.

Maintain Clean Drain Pipe – Periodic flushing of the drain pipe with a commercial agent is recommended to prevent the system from backing up.

Calling for Service – For any questions about the use or maintenance of the Olympic Hi-Lo Wet Table, please call 1-800-789-6867.

Specifications

Olympic Hi-Lo Wet Table – Model 51001, 51002

Capacity – 250 pounds with centered load

Tub inside dimensions – 22" x 53.5"

Overall size of Table Top – 25"W x 60"L

Size of base – 25"W x 51"L

Height range – 31" to 43"

Overall height to top of faucet – 44" to 56"

Overall height to top of splash board – 38" to 50"

Ordering Information

51001 – Olympic Hi-Lo Wet Table with Grates, Faucet and Hand Spray.

51002 – Olympic Hi-Lo Wet Table with 2 Grates, Faucet, Sink, Hand Spray. Includes Stainless Dry Top.

51003 – Olympic Hi-Lo Wet Table, completely ready for dental procedures, with 2 Swing Arms with 2 sockets for accessories on each arm. Includes Instrument Tray, IV Pole, LED Exam Light, Grate Tilt Insert. Also includes Stainless Dry Top.

Optional Accessories

50986 – Special Use Swing Arm for Olympic Dental Table for mounting some brands of large anesthesia units. Please inquire.

50987 – LED Exam Light with Flexible Arm for Olympic Dental Table and Hi-Lo Wet Table.

50988 – Laptop Computer Support Arm for Olympic Dental Table or Hi-Lo Wet Table.

50989 – Rear Enclosure Panel for free-standing/island installations.

51081 – IV Pole for Olympic Dental Table and Olympic Hi-Lo Wet Table.

51082 – Grate Tilt Insert for Olympic Hi-Lo Wet Table.

51085 – Dry Top for Olympic Hi-Lo Wet Table. Stainless, fits over Grates.

51086 – Swing Arm with 2 sockets for accessories for Olympic Dental Table or Hi-Lo Wet Table.

51087 – Height-adjustable Instrument Tray for Olympic Dental Table and Hi-Lo Wet Table.

3-Year Unconditional Warranty

The Olympic Hi-Lo Wet Table (model 51001, 51002, 51003) is unconditionally warranted for a period of three (3) years from the date of invoice.

Olympic Veterinary will elect to repair or replace a defective component without charge within the warranty period. The charge for shipping the defective component is the responsibility of the buyer and must be accompanied by an RMA number. The shipping charge to return the component to the buyer is the responsibility of Olympic Veterinary, Inc. In some cases, at Olympic Veterinary's sole discretion, it may be possible to provide the user with a repair kit, authorizing the user's technical staff to complete the repair. In such cases, the labor cost shall be the sole responsibility of the user.

This warranty is not valid for damage resulting from negligence, accident, unreasonable use, abuse or misuse, exceeding weight limits or altering the product without prior Olympic Veterinary authorization.

Olympic Veterinary expressly disclaims and excludes any liability for consequential, incidental, indirect or punitive damages or financial loss to people or property resulting from any breach of warranty or from the improper operation of this equipment.

This limited warranty is provided to the original purchaser and is not transferable. This constitutes the complete and final agreement for Olympic Veterinary's Hi-Lo Wet Table, model 51001, 51002, 51003.

Contact Us

Olympic Veterinary Corporation, Customer Service

9311 SE 36th Street, Unit 220
Mercer Island, WA 98040

Phone: (800) 789-6867

Fax: (800) 905-0839

Email: info@OlyVet.com

NOTE: THIS IS NOT THE STREET ADDRESS TO BE USED FOR RMA RETURNS.

Detailed shipping instructions will be provided by customer service when a RMA is issued.